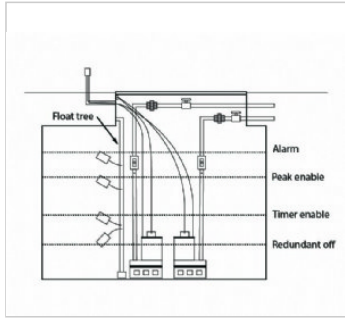


peak enable

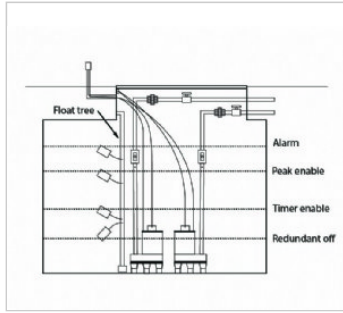
1. Operating parameter that increases the frequency of timer operation of a pump to result in effluent delivery equal to design flow rate; 2. sensor that controls the peak enable function in a time dose system; see override timer; see also redundant off and timer enable.

peak enable images/graphics:



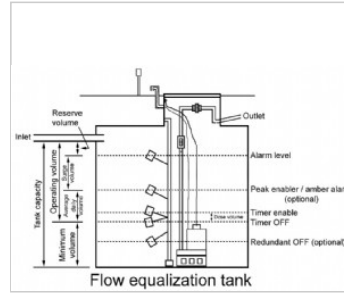
Dosing tank, duplex pumps and float controls timed

Dosing tank, duplex pumps and float controls time dosing

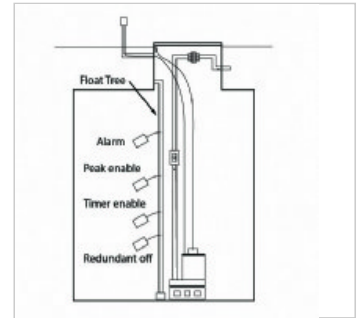


Flow equalization tank, duplex pumps and float controls timed no block

Flow equalization tank, duplex pumps and float controls timed no block



Volumes - flow equalization tank



Time dosing - Red off, timer enable, peak enable, alarm

Time dosing sensor configurations - Redundant off, timer enable, peak enable, and alarm