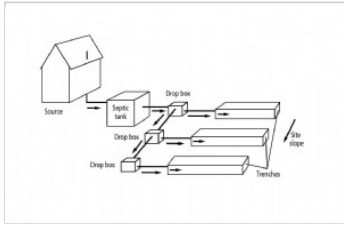


drop box

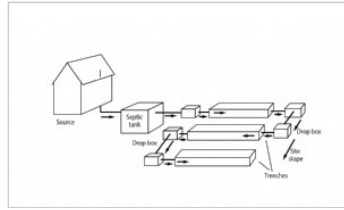
1. Device used for serial or sequential distribution of effluent by gravity flow to a lateral of a final treatment and dispersal component; addition of such a device adds a means of system management; 2. Device used to lower piping elevation.

drop box images/graphics:



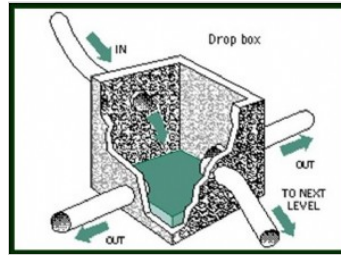
Gravity sequential trenches

Septic tank, drop box, gravity distribution, sequential trenches STA, sloping site



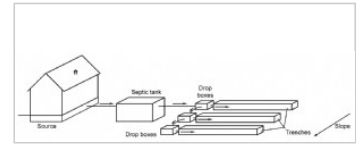
Gravity serial trenches

Septic tank, drop box, gravity distribution, serial trenches STA, sloping site

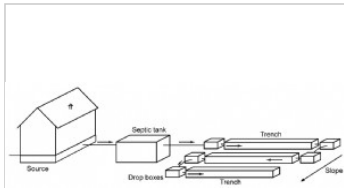


Drop box

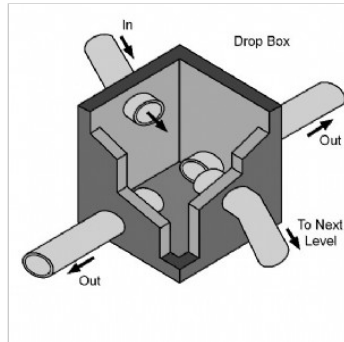
Drop box detail, cutaway, 3D color



Distribution, sequential



Distribution, serial



Drop box