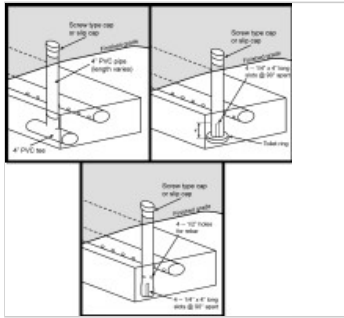


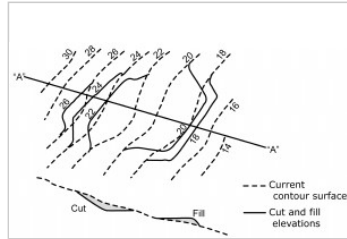
construction

Activities related to the installation, alteration, extension, or repair of a wastewater treatment system, including all activities from disturbing the soils through connecting the system to the building or property served by the wastewater treatment system.

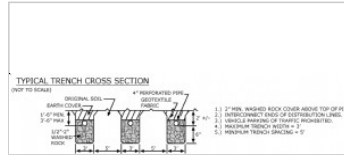
construction images/graphics:



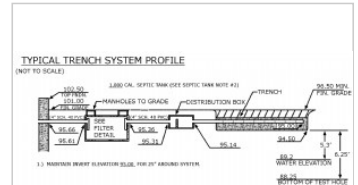
Inspection ports in trenches



Cut and fill proposed contours



Example soil treatment area cross section construction plan



Example treatment train profile construction detail

Design Construction Notes:

- APPLICANT IS RESPONSIBLE TO VERIFY DESIGNER'S INTENTION TO START CONSTRUCTION AT LEAST 18 DAYS PRIOR TO START OF SITE WORK. CONSTRUCTION AND INSURANCE NUMBERS, AND NAME AND DISTRICT'S LICENSE NUMBER ARE TO BE PROVIDED TO THE DESIGNER AT THIS TIME.
- THE INSTALLER SHALL PROVIDE THE FOLLOWING:
 - IN WRITTEN NOTICE OR STATE OF CONSTRUCTION
 - INSPECTION OF BOTTOM OF HOLE OR EXCAVATION REQUIRED BEFORE ISSUING DEPARTMENT OF ENVIRONMENTAL MANAGEMENT PERMIT OR TO BE CALLED INTO DESIGNER BEFORE WORK ON THE SAME AREA TO THE REQUIRED INSPECTION
 - ALL INSURE (LEASE) CERTIFICATE OF INSURANCE MANAGEMENT INSPECTION SHEETS ARE TO BE MAILED TO DESIGNER OFFICE WITHIN 24 HOURS OF FINISH ISLAND DEPARTMENT OF ENVIRONMENTAL MANAGEMENT INSPECTION
- SITE LAYOUT AND REQUIRED INSTRUCTIONS TO BE MADE OF DESIGNER FOR THE FOLLOWING:
 - INSPECTION OF BOTTOM OF HOLE OR EXCAVATION REQUIRED BEFORE ISSUING DEPARTMENT OF ENVIRONMENTAL MANAGEMENT PERMIT OR TO BE CALLED INTO DESIGNER BEFORE WORK ON THE SAME AREA TO THE REQUIRED INSPECTION
 - INSPECTION OF BOTTOM OF HOLE OR EXCAVATION REQUIRED BEFORE ISSUING DEPARTMENT OF ENVIRONMENTAL MANAGEMENT PERMIT OR TO BE CALLED INTO DESIGNER BEFORE WORK ON THE SAME AREA TO THE REQUIRED INSPECTION
 - INSPECTION OF BOTTOM OF HOLE OR EXCAVATION REQUIRED BEFORE ISSUING DEPARTMENT OF ENVIRONMENTAL MANAGEMENT PERMIT OR TO BE CALLED INTO DESIGNER BEFORE WORK ON THE SAME AREA TO THE REQUIRED INSPECTION
 - INSPECTION OF BOTTOM OF HOLE OR EXCAVATION REQUIRED BEFORE ISSUING DEPARTMENT OF ENVIRONMENTAL MANAGEMENT PERMIT OR TO BE CALLED INTO DESIGNER BEFORE WORK ON THE SAME AREA TO THE REQUIRED INSPECTION
- THE APPLICANT SHALL BE RESPONSIBLE FOR REVISIONS ANY REQUIRED CHANGES TO THE INSTALLATION WITH THE DESIGNER PRIOR TO COMMENCING WORK. ANY CHANGES IN THE DESIGN DURING INSTALLATION ARE TO BE THE RESPONSIBILITY OF THE APPLICANT AND MAY REQUIRE AN APPLICATION FOR REVISION OF PERMITS.
- THE APPLICANT SHALL PROVIDE THE DESIGNER WITH:
 - AN ASSET LOCATION PLAN
 - COMMUNICATION AND COORDINATION WITH INSURE ISLAND DEPARTMENT OF ENVIRONMENTAL MANAGEMENT STAFF
 - REINSTALLATION OF SYSTEM TO MEET INSURE ISLAND DEPARTMENT OF ENVIRONMENTAL MANAGEMENT CRITERIA
- THE APPLICANT SHALL FURNISH THE ORIGINAL APPLICATION FROM COPY TO THE INSTALLER PRIOR TO START OF CONSTRUCTION. APPLICATION TO REMAIN ON SITE DURING CONSTRUCTION, AND BE APPROVED BY INSURE ISLAND DEPARTMENT OF ENVIRONMENTAL MANAGEMENT.

Example design construction notes

GENERAL NOTES:

- TOPOGRAPHIC AND LOCATION SURVEY FROM A PLAN BY SEA BASS, PLS.
- BOUNDARY INFORMATION FROM ABOVE REFERENCED PLAN.
- WATER TABLE AND SOIL DATA FROM ONT'S APPROVAL 420-131. WATER TABLE ELEVATION: III. 25 - 1.18 TO >
- SITE IS NOT WITHIN COASTAL PONDS CRITICAL RESOURCE AREA.

DESIGN PERC RATE: 12MPC (175 S.F./BED)
 2 BEDROOM x 175 S.F./BED = 525 S.F.
 TRENCHES 36" WIDE WITH 6" WASHED ROCK UNDER = 3.0 S.F./L.F.
 525 S.F./3.0 S.F./L.F. = 175 L.F. REQUIRED
 L.F. PROVIDED = 55' x 3 + 5' x 2 = 175'
 TOTAL AREA = 525 S.F.

Example design general notes

CONSTRUCTION SPECIFICATIONS:

GENERAL NOTE:

- ALL DESIGN, CONSTRUCTION, AND MAINTENANCE TO BE IN COMPLIANCE WITH THE "RULES AND REGULATIONS" OF THE DEPARTMENT OF ENVIRONMENTAL MANAGEMENT AND MAINTENANCE OF INDUSTRIAL SPACE (LOCAL SYSTEMS) STATE OF NEW JERSEY DEPARTMENT OF ENVIRONMENTAL MANAGEMENT AS APPLICABLE.
- PROVIDING SET OF FOUNDATION LAYOUT AND ELEVATION RELATING TO DISTRIBUTION AND MAINTENANCE OF SERVICE.
- PERMITS AND INSURE ISLAND DEPARTMENT OF ENVIRONMENTAL MANAGEMENT PERMIT.
- ALL PERMITS AND INSURE ISLAND DEPARTMENT OF ENVIRONMENTAL MANAGEMENT PERMIT.
- ALL PERMITS AND INSURE ISLAND DEPARTMENT OF ENVIRONMENTAL MANAGEMENT PERMIT.
- ALL PERMITS AND INSURE ISLAND DEPARTMENT OF ENVIRONMENTAL MANAGEMENT PERMIT.
- ALL PERMITS AND INSURE ISLAND DEPARTMENT OF ENVIRONMENTAL MANAGEMENT PERMIT.
- ALL PERMITS AND INSURE ISLAND DEPARTMENT OF ENVIRONMENTAL MANAGEMENT PERMIT.

SEPTIC TANK:

- THE REVISION FROM FOUNDATION TO SEPTIC TANK SHALL BE LATEST STRAIGHT SEPTIC TANK TO DISTRIBUTION BOX PIPING SHALL HAVE HORIZONTAL SLOPE NO GREATER THAN 4%.
- SEPTIC TANK SHALL HAVE ON THE LEFT END OF TRENCH 2" MANHOLE, 2" DOWNHOLE, INSTALL CONCRETE ACCESS MANHOLE AND COVER TO MATCH FRAME MAKE.
- INSTALLER SHALL HAVE 4" MINIMUM 40 PPH OR EQUAL.

DISTRIBUTION BOX:

- DISTRIBUTION BOX SHALL BE 18" HIGH AND 18" WIDE WITH 18" DIA. OR SMALLER AND BOTTOM AREA OF 1 SQ. FT. MINIMUM.
- DISTRIBUTION BOX FOR 1000 G.P. FROM DISTRIBUTION BOX TO FIRST SECTION IN ARCADES SHALL BE 18" DIA., UNGRADED, AND HAVE WATER TIGHT JOINTS.

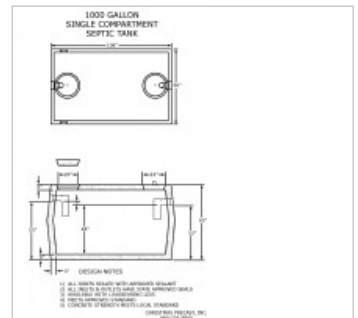
PREPARED WATER SUPPLY:

- THERE ARE NO EXISTING OR PROPOSED WELLS WITHIN 200' OF SYSTEM COVER THAN SPECIFIED ON PLAN.
- THERE ARE NO EXISTING OR PROPOSED PUBLIC WELLS WITHIN 200' OF PROPOSED SYSTEM OTHER THAN SPECIFIED ON PLAN.

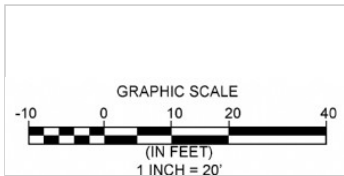
PUBLIC WATER SERVICE:

- PROVIDE MINIMUM BARRIAGE DISTANCE FROM BARRIAGE TO SOIL TREATMENT AREA.

Example design construction specifications



Example septic tank details construction plans



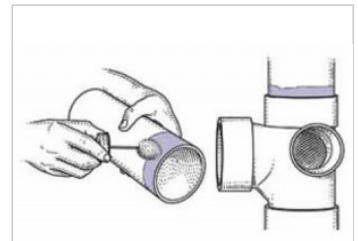
Example of a graphical scale



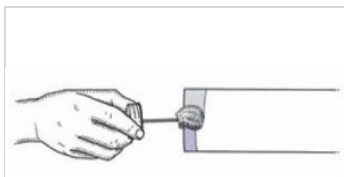
Example of a location or locus map



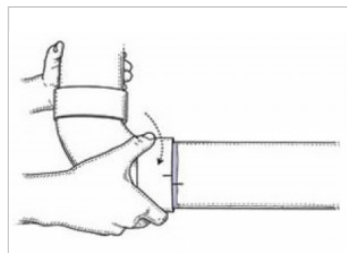
Example of north arrow from construction plans



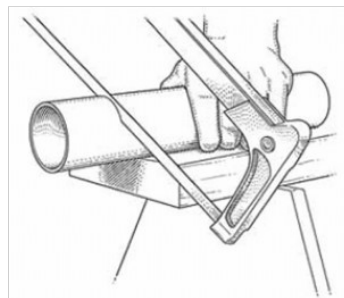
Applying primer



Applying glue to piping



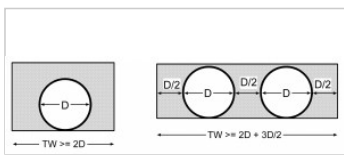
Connecting pipe and fitting



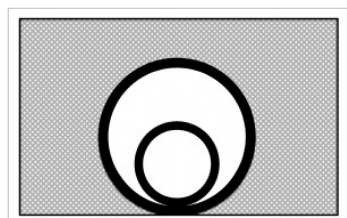
Pipe cutting



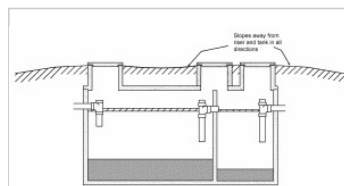
Beveled pipe



Width of excavation in relation to pipe diameter



Sleeving of smaller diameter pipe in larger diameter pipe



Proper final grade slopes away from the tank and risers