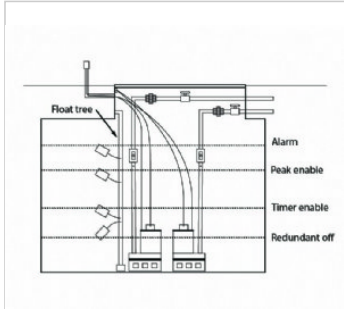


redundant off

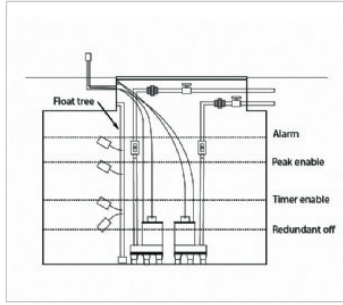
1. Optional operating parameter in a time dosed configuration that acts as a fail-safe by preventing pump operation when effluent levels reach a specified level below the normal off level; 2. Sensor that controls the redundant off function in a time dose system; typically, this sensor is directly wired into the pump circuit, thus bypassing the timer or control circuits; 3. In a programmable system, the redundant off float allows the timer “on” cycle to continue even though the timer enable float deactivates; the configuration is intended to reduce the occurrence of short cycling in pumps.

redundant off images/graphics:



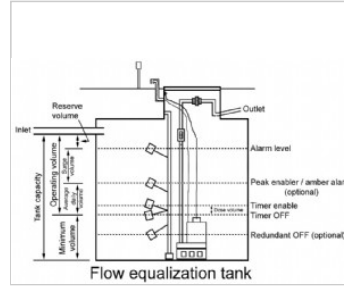
Dosing tank, duplex pumps and float controls timed

Dosing tank, duplex pumps and float controls time dosing

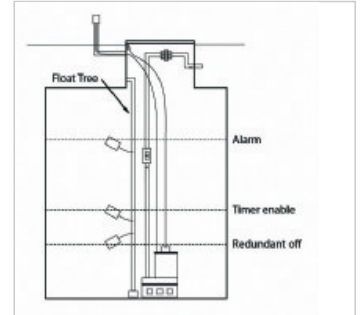


Flow equalization tank, duplex pumps and float controls timed no block

Flow equalization tank, duplex pumps and float controls timed no block

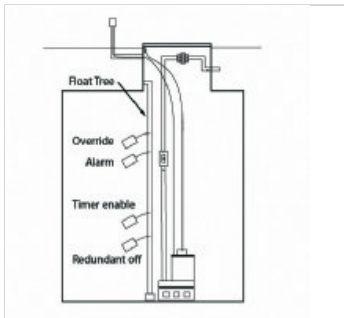


Volumes - flow equalization tank



Time dosing - Red off, timer enable, alarm

Time dosing sensor configurations - Redundant off, timer enable and alarm



Time dosing - Red off, timer enable, alarm, override

Time dosing sensor configurations - Redundant off, timer enable, alarm and override