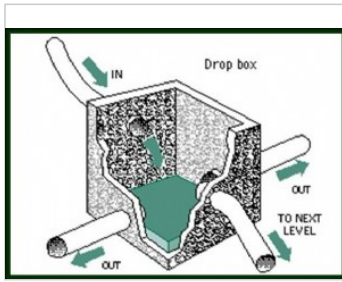


distribution device

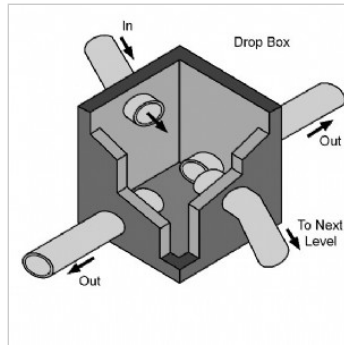
Device that receives effluent from one component, and conveys it to a subsequent component(s), (e.g., a distribution box, drop box, or manifold).

distribution device images/graphics:

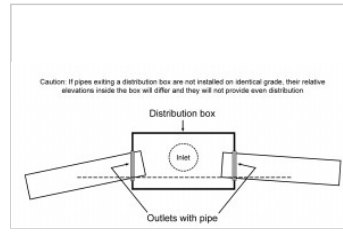


Drop box

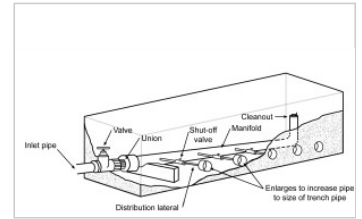
Drop box detail, cutaway, 3D color



Drop box



Distribution box with inlet and outlets



Pressure manifold, shown housed in a vault