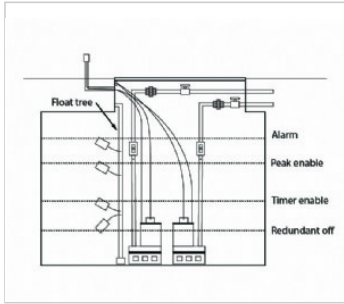


timer enable

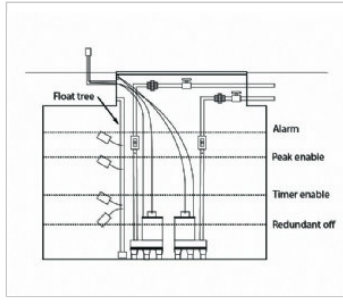
operating parameter that allows pump operation via a specified schedule; see also peak enable and redundant off.

timer enable images/graphics:



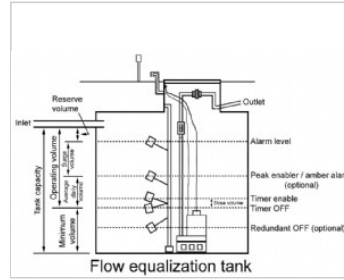
Dosing tank, duplex pumps and float controls timed

Dosing tank, duplex pumps and float controls time dosing

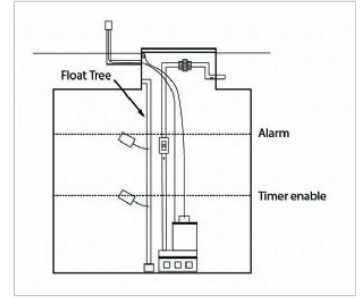


Flow equalization tank, duplex pumps and float controls timed no block

Flow equalization tank, duplex pumps and float controls timed no block

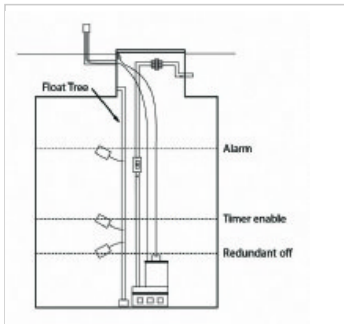


Volumes - flow equalization tank



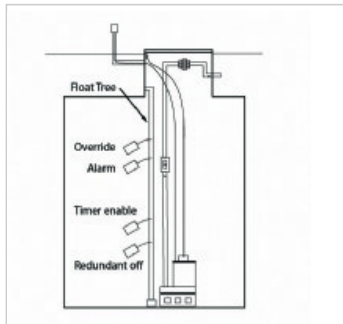
Time dosing - timer enable and alarm

Time dosing sensor configurations - Timer enable and alarm



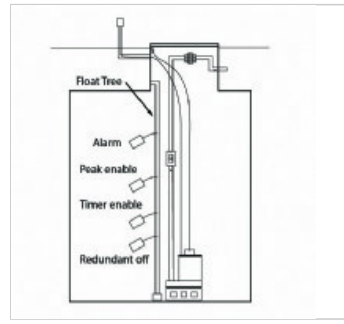
Time dosing - Red off, timer enable, alarm

Time dosing sensor configurations - Redundant off, timer enable and alarm



Time dosing - Red off, timer enable, alarm, override

Time dosing sensor configurations - Redundant off, timer enable, alarm and override



Time dosing - Red off, timer enable, peak enable, alarm

Time dosing sensor configurations - Redundant off, timer enable, peak enable, and alarm