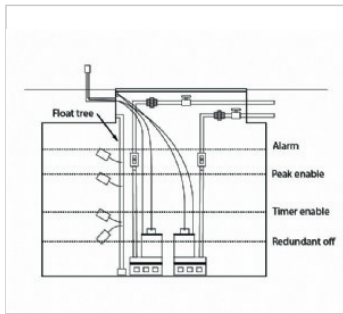


time dosing

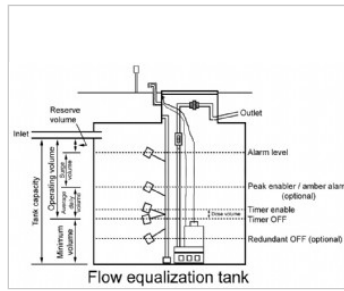
configuration in which a specific volume of effluent is delivered to a component based upon a prescribed interval, regardless of facility water use; see also flow equalization.

time dosing images/graphics:

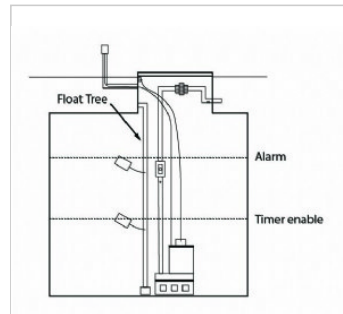


Dosing tank, duplex pumps and float controls timed

Dosing tank, duplex pumps and float controls time dosing

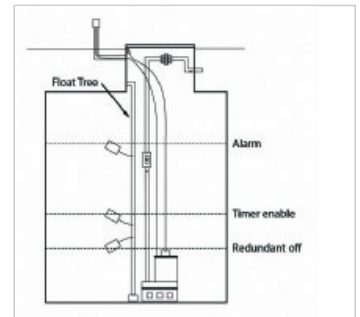


Volumes - flow equalization tank



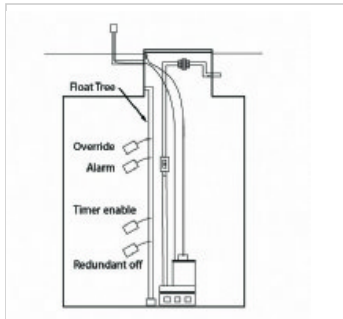
Time dosing - timer enable and alarm

Time dosing sensor configurations - Timer enable and alarm



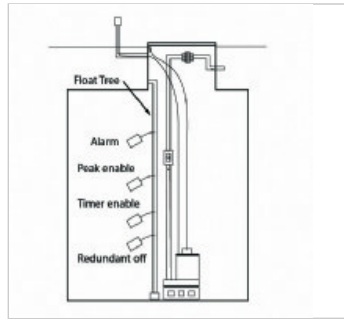
Time dosing - Red off, timer enable, alarm

Time dosing sensor configurations - Redundant off, timer enable and alarm



Time dosing - Red off, timer enable, alarm, override

Time dosing sensor configurations - Redundant off, timer enable, alarm and override



Time dosing - Red off, timer enable, peak enable, alarm

Time dosing sensor configurations - Redundant off, timer enable, peak enable, and alarm