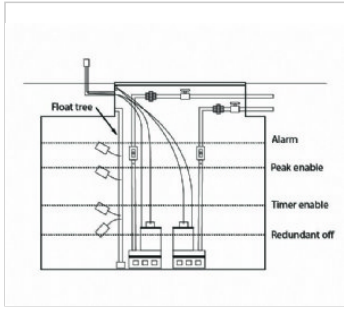


**float tree**

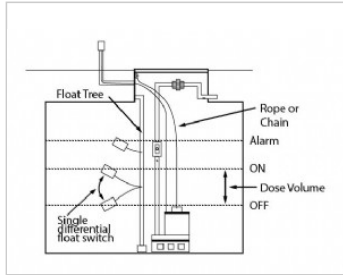
Removable device located within a pump vault or dosing tank to which float sensors are attached.

float tree images/graphics:



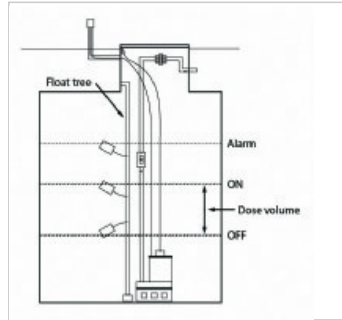
**Dosing tank, duplex pumps and float controls timed**

Dosing tank, duplex pumps and float controls time dosing



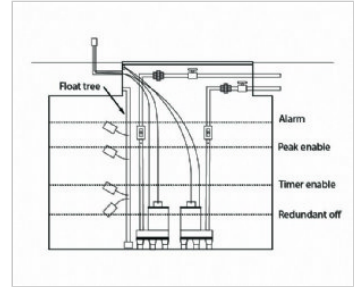
**Demand dosing two float**

Dosing tank with demand dosing controls (one single differential for on/off pump operation plus an alarm float) with labeled dose volume



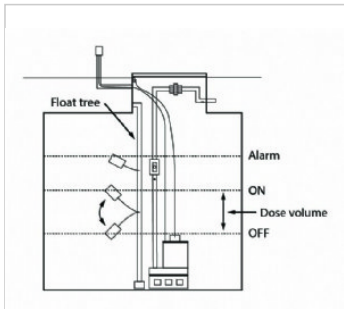
**Demand dosing three float**

Dosing tank with demand dosing controls (two floats for on/off pump operation plus an alarm float) with labeled dose volume

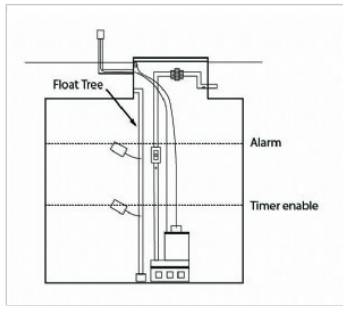


**Flow equalization tank, duplex pumps and float controls timed no block**

Flow equalization tank, duplex pumps and float controls timed no block

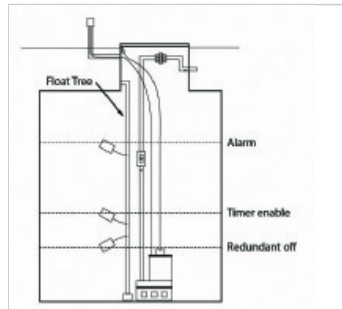


**Demand dosing two float**



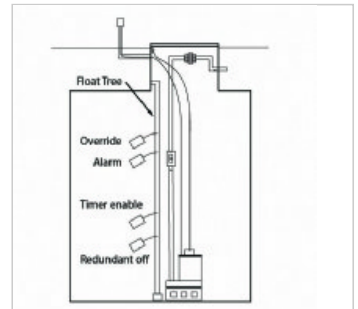
**Time dosing - timer enable and alarm**

Time dosing sensor configurations - Timer enable and alarm



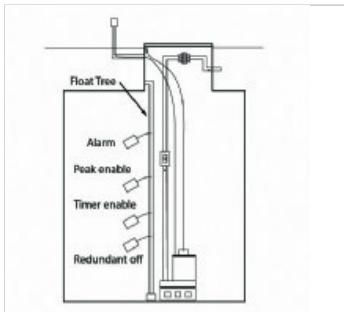
**Time dosing - Red off, timer enable, alarm**

Time dosing sensor configurations - Redundant off, timer enable and alarm



**Time dosing - Red off, timer enable, alarm, override**

Time dosing sensor configurations - Redundant off, timer enable, alarm and override



**Time dosing - Red off, timer enable, peak enable, alarm**

Time dosing sensor configurations - Redundant off, timer enable, peak enable, and alarm